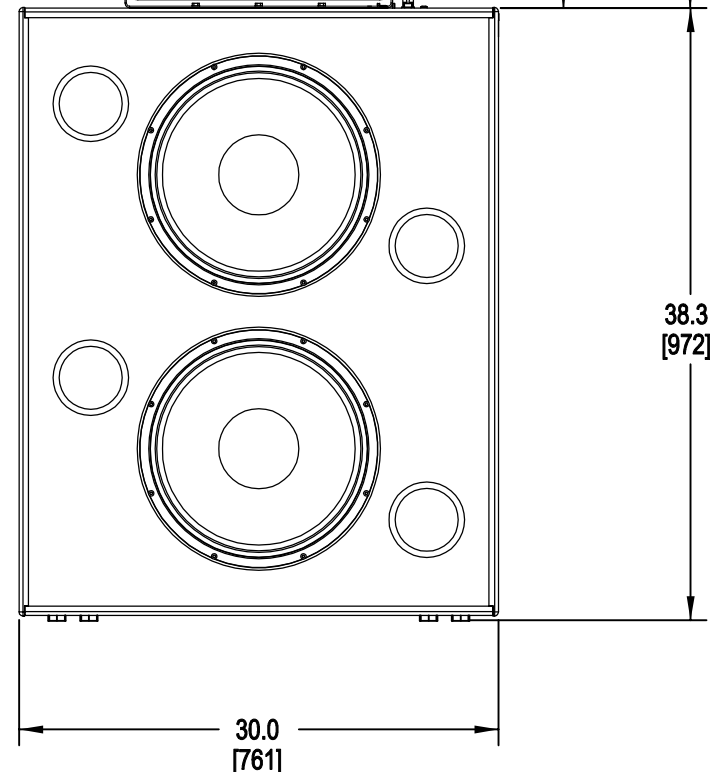
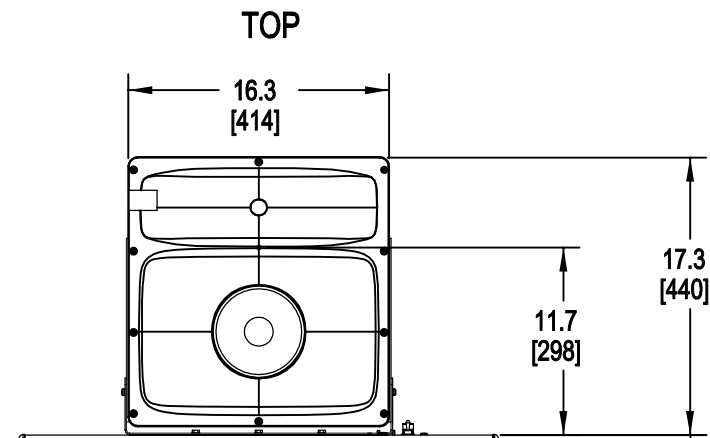
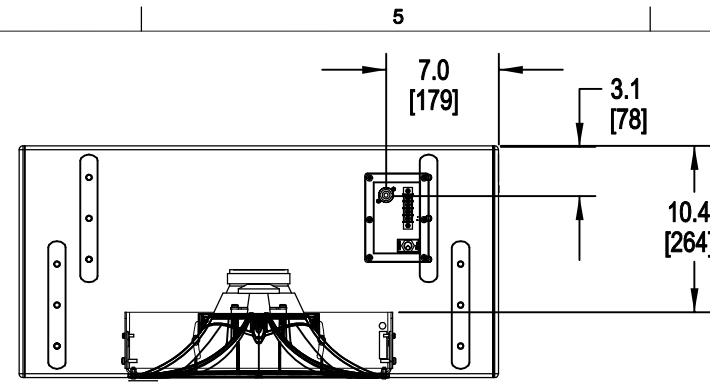
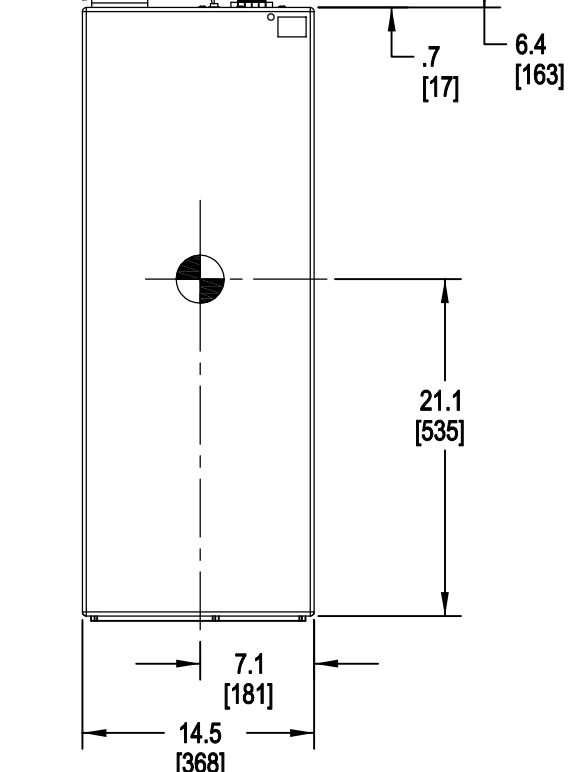
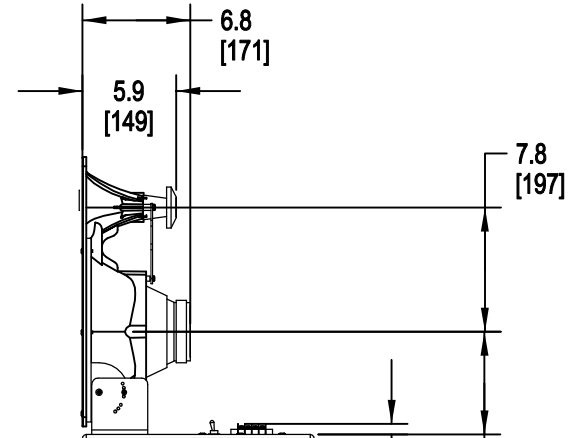


REVISIONS				
REV	ECO	DESCRIPTION	DATE	APPROVED
A		INITIAL MIT RELEASE	2026-2-01	DSR

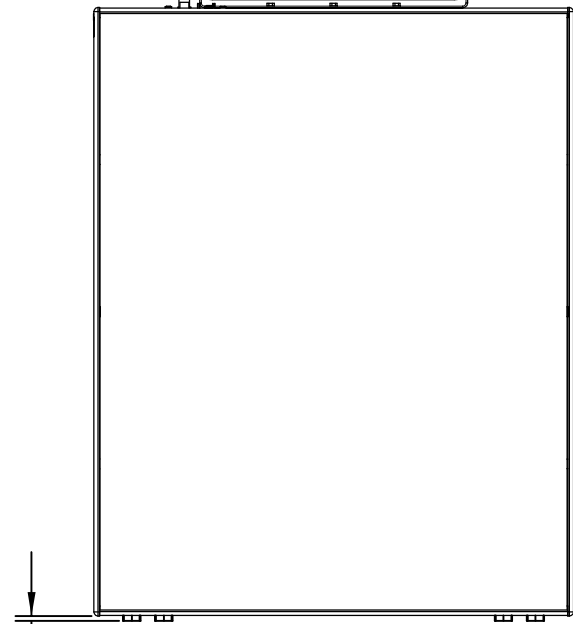
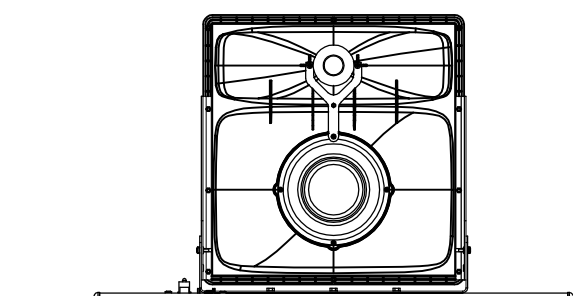
NOTES: UNLESS OTHERWISE SPECIFIED



FRONT



RIGHT



REAR

PN: A010320-001

- 3. SYMBOL INDICATES CENTER OF BALANCE.
 - 2. TOLERANCES ARE IN INCHES: X X ± 0.13, ANGLES ± 1°
 - 1. NET WEIGHT APPROX. 114.0 LBS (51.8 KG)
- NOTE: UNLESS OTHERWISE SPECIFIED

DRAWN TAMIM NOORZAY	DATE 1/27/2026
APPROVED DAVID RICHARDS	DATE 2/01/2026
THE ORIGINAL OF THIS DRAWING IS MAINTAINED IN ELECTRONIC FORM, ANY PAPER COPIES ARE FOR REFERENCE. REVISE ON CAD ONLY.	
THIS INFORMATION IS THE SOLE PROPERTY OF MOVING IMAGE TECHNOLOGIES (MIT). IT IS PROVIDED FOR INFORMATIONAL PURPOSES ONLY, AND SHALL NOT BE REPRODUCED IN ANY MANNER, OR USED TO MANUFACTURE ANY MATERIALS WITHOUT THE WRITTEN CONSENT OF MIT. ALL RIGHTS RESERVED.	

DCS Moving Image Technologies Inc
Fountain Valley CA 92708 USA

**LOUDSPEAKER SET,
SC-2150**

SIZE B	SCALE -	DWG NO. A010320-CUST	REV A
PATHFILENAME		SHEET 1 OF 1	